

## QUICK-TO-MARKET PORTABLE PLATFORM

Flexibility and performance  
for any environment

- Supports interchangeable camera systems
- Purpose-built with modular features
- Accommodates pole-mounted displays
- Simplifies in-field serviceability
- Customizable with multiple colorways

“  
*Kori enables application and specification developers in the medical, industrial, and safety and security markets to develop and deliver portable camera-based applications in an extremely flexible and quick to market platform.*  
”

MBX Systems' KORI Modular Mobile Platform is not intended as a medical device to cure, treat, mitigate or prevent any diseases.



# KORI: A MODULAR MOBILE AI PLATFORM

DESIGNED FOR DEVELOPERS TO BRING CAMERA-BASED APPLICATIONS TO MARKET

The demand for mobile platforms to support video capture, surveillance, computer vision and analytics applications is enormous. Organizations that use these devices put a high value on their versatility to separate the surveillance environment from their monitoring locations. As these applications become more mainstream and mobile, technology advancements are pushing performance like never before.

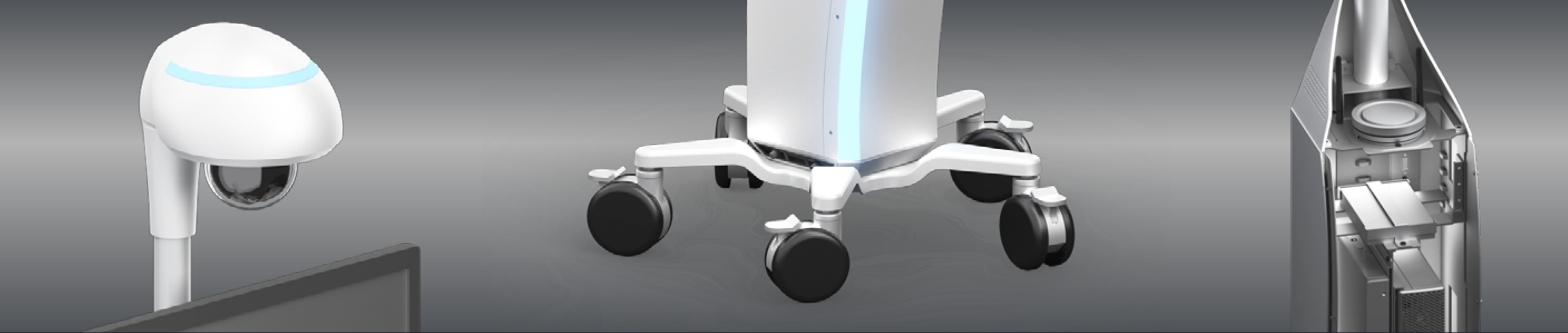
## Meet Kori...

Kori is a modular mobile platform that combines the speed and efficiency of hardware building blocks with extensive customization options, to tailor it to an application's use case. With Kori, the benefits don't stop at the physical device. The platform's value includes MBX's engineering services and developer tools to help application and specification developers bring a fully-integrated software/hardware solution to market that performs right out of the box.

## Kori is the ideal platform for:

- AI inferencing technology
- Spot surveillance applications
- Occupancy monitoring
- Visual collaboration
- Camera manufacturers
- Telehealth applications
- Patient monitoring applications





## KORI IS A ROBUST, DURABLE PLATFORM FOR BRINGING COMPUTER-VISION APPLICATIONS TO MARKET QUICKLY.

### MODULAR RACK-MOUNT INSPIRED FRAME

- Designed to feature Dell Precision and OptiPlex workstations
- Rugged construction with cooling to withstand harsh environments
- Available with uninterruptible power supply, POE switching, intercom, GPU, and video configurations
- Adaptable to the mounting of various hardware

### POWERED BY RESPECTED INDUSTRY BRANDS

- Offers NVIDIA-powered compute for the most demanding computer vision and AI applications
- Pre-configured for an array of cameras from providers such as Hanwha and Axis Communications
- Optional pole mounted displays include touch monitors, HMI and LED

### HIGH-PERFORMANCE CORE COMPONENTS

- 5 port PoE unmanaged switch
- USB speakerphone with over 20' range
- RJ45 rear plug
- Programmable RGB LED lights with developers kit
- Electrostatic discharge chain
- Touchscreen support

# PLATFORMS SUPPORTED BY KORI



## DELL OPTIPLEX MICRO 3080, 5090, 7090

- Intel® Core™ i3, i5 or i7
- 16GB, 1x16GB, DDR4 non-ECC Memory
- M.2 256GB PCIe NVMe Class 35 Solid State Drive
- (Optional 2.5" Drive bay for up to 2TB storage)
- Intel® Integrated Graphics



## DELL PRECISION 3240 - FOR AI RICH USE CASES

- Intel Core i3,i5,i7 or i9 Processor
- 16GB 2X8GB DDR4 2666MHz or 2933MHz
- 512GB PCIe NVMe Class 40 M.2 SSD
- (Optional 2.5" Drive bay for up to 2TB storage)
- NVIDIA Quadro RTX3000, 6GB GDDR5



## DELL EMBEDDED BOX PC 3000/5000 OR FUTURE SERIES

- Intel® Atom E3845, Celeron G3900E, Core™ i3, i5 or i7
- Up to 16GB 2X8GB DDR4 2133MHz
- Up to 1TB 2.5" hard drive
- Integrated Graphics